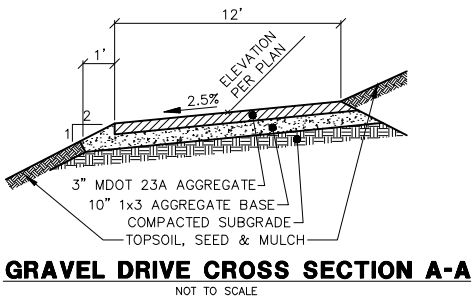
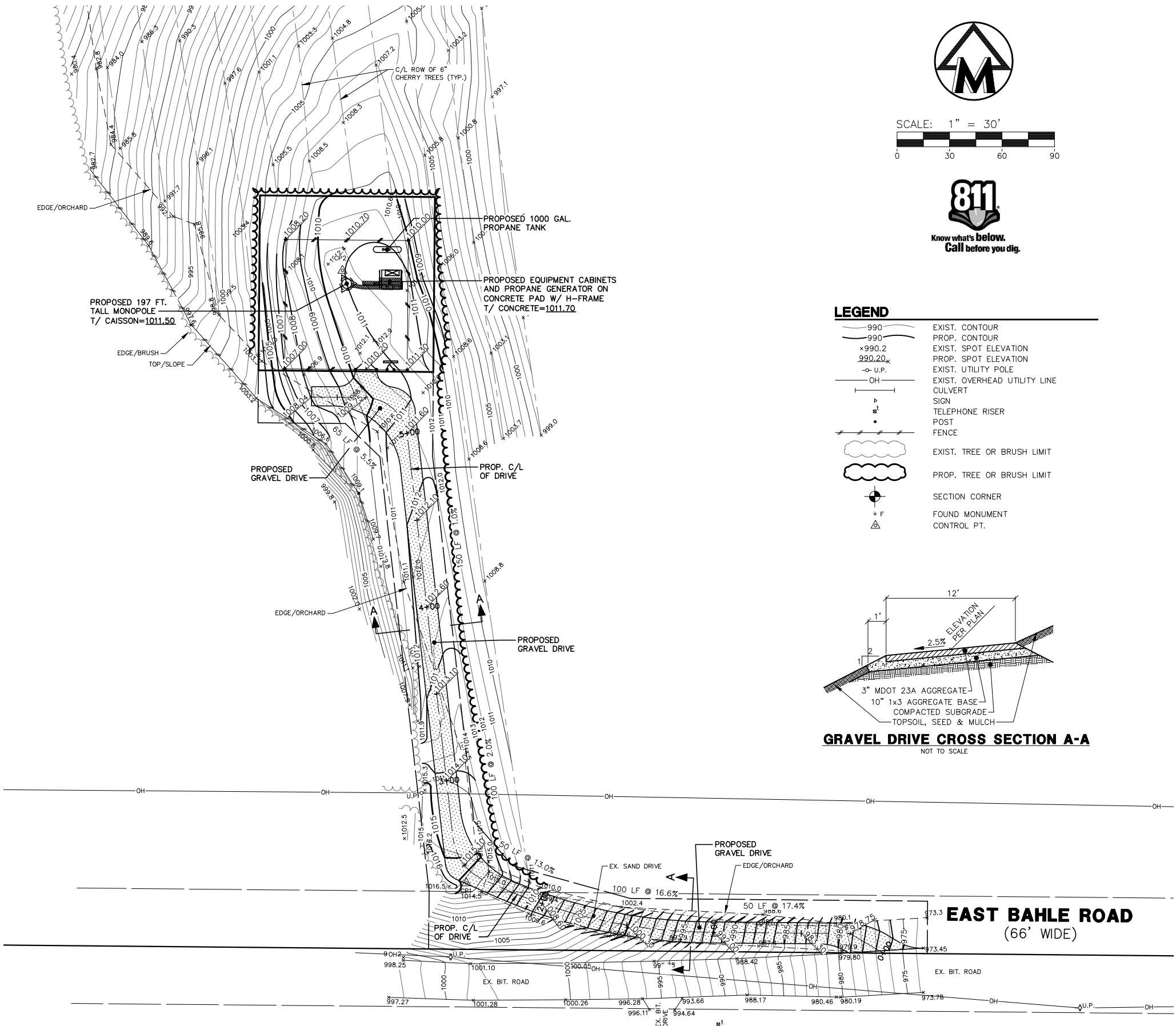
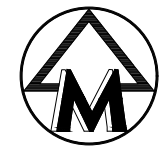


STORMWATER NARRATIVE:
 PROPOSED PROJECT GRADING WILL MAINTAIN EXISTING SITE DRAINAGE PATTERNS INTO THE SURROUNDING ORCHARD AND WOODED AREA. ANY RUNOFF VOLUME INCREASE WILL BE MINIMIZED DUE TO:

- THE SURROUNDING AREA CONTAINING SANDY SOILS WHICH SHOULD ABSORB MOST RUNOFF.
- THE PROPOSED DRIVEWAY FOLLOWING AN ESTABLISHED DRIVEN ROUTE.
- THE COMPOUND GRAVEL BEING LOOSELY PLACED TO HOLD DOWN A PERMEABLE WEED BARRIER FABRIC AND ALLOWING FOR INFILTRATION NEARLY SAME AS ORIGINAL.
- THE FLATTENING OF STEEP EXISTING GROUND SLOPES IN THE AREA OF THE NEW DRIVEWAY/COMPOUND.
- LOCATING ALL PROPOSED WORK ALONG A HIGH POINT ON THE PROPERTY.



GRAVEL DRIVE CROSS SECTION A-A
 NOT TO SCALE



SCALE: 1" = 30'
 0 30 60 90



LEGEND

— 990	EXIST. CONTOUR
- - - 990	PROP. CONTOUR
x990.2	EXIST. SPOT ELEVATION
990.20	PROP. SPOT ELEVATION
-o- U.P.	EXIST. UTILITY POLE
-OH-	EXIST. OVERHEAD UTILITY LINE
— —	CULVERT
•	SIGN
•	TELEPHONE RISER
•	POST
— —	FENCE
☁	EXIST. TREE OR BRUSH LIMIT
☁	PROP. TREE OR BRUSH LIMIT
⊙	SECTION CORNER
⊙ F	FOUND MONUMENT
△	CONTROL PT.

verizon
 SITE #3250 - "LAKE LEELANAU"
 SUTTONS BAY TOWNSHIP, LEELANAU COUNTY, MICHIGAN
 GRADING PLAN

3

JOB No.	05268-3250C
DATE	03/16/23
REVISION	SHEET 3 OF 3
1. ADD STORMWATER NARRATIVE	08/09/23
CADD: BLF	
ENG: SGF	
PM: SGF	
TECH: KMW	
02688-32500-SPT	
14838917	

APPLICANT/LESSEE:
 CELCO PARTNERSHIP
 dba VERIZON WIRELESS
 24242 NORTHWESTERN HIGHWAY
 SOUTHFIELD, MICHIGAN 48075
 PHONE: (248) 915-3000



MIDWESTERN CONSULTING
 3835 Plaza Drive Ann Arbor, Michigan 48108
 (734) 995-0200 • www.midwesternconsulting.com
 Land Development • Land Survey • Institutional • Municipal
 Wireless Communications • Transportation • Landfill Services