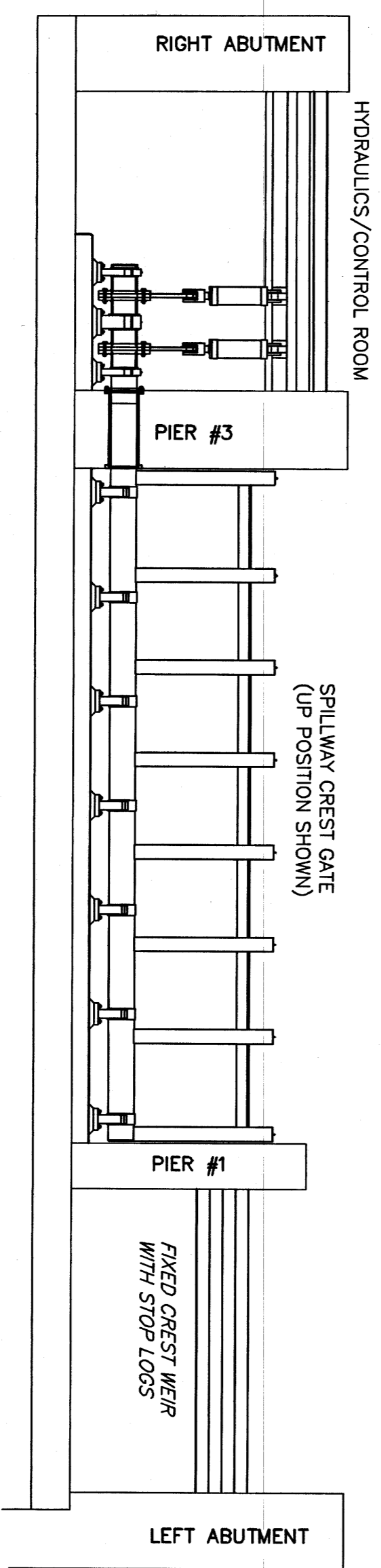


PLAN: REPAIRED/MODIFIED SPILLWAY STRUCTURE

SCALE IN FEET
0 5 10

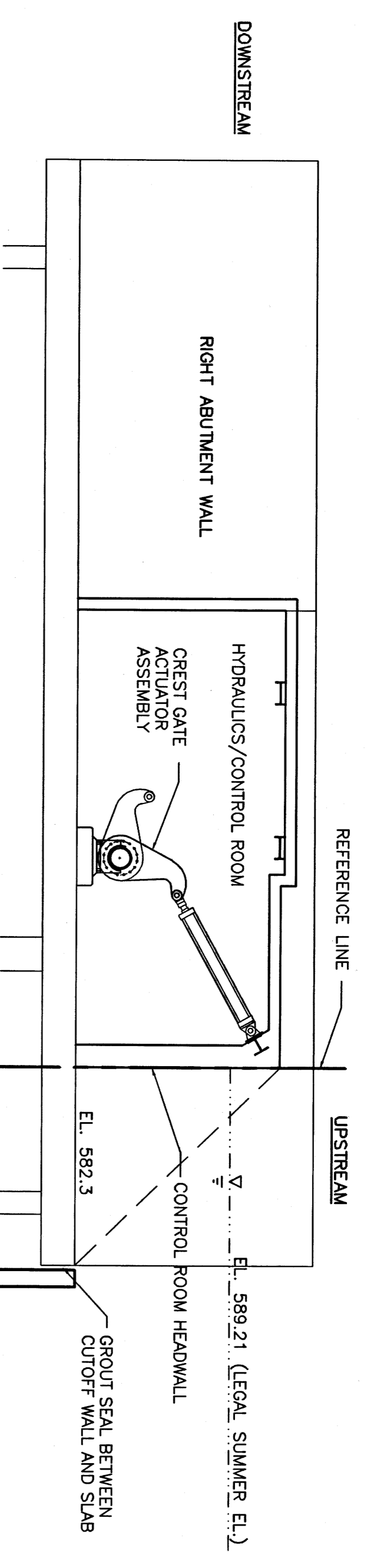


ELEVATION: REPAIRED/MODIFIED SPILLWAY STRUCTURE

SCALE IN FEET
0 5 10

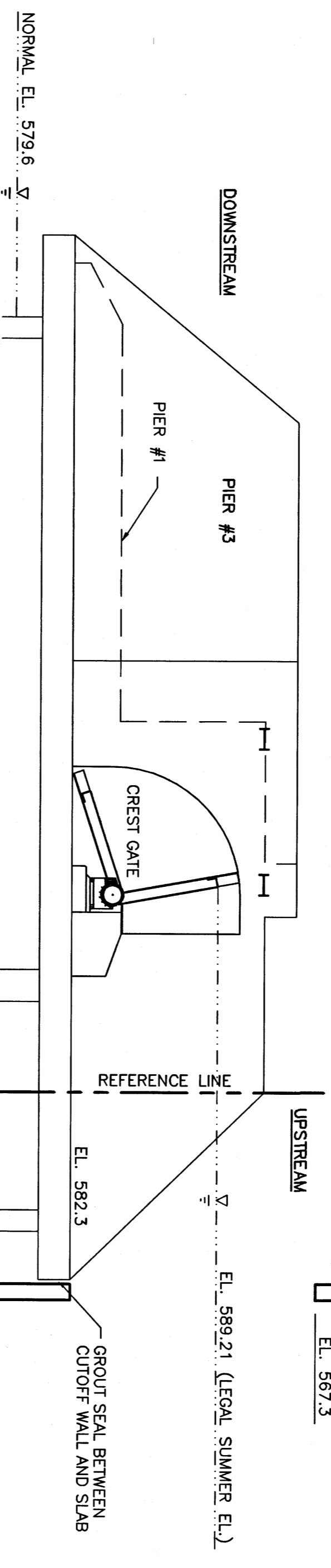
CLIENT REVIEW DRAWING
NOT FOR CONSTRUCTION

- NOTES:
1. CONCRETE SURFACE REMOVAL/REPAIR REQUIRED ON ALL EXPOSED & NON-SUBMERGED AREAS IN BAYS #1, #2, & #3. EXCEPT FOR AREAS DESIGNATED FOR SURFACE REMOVAL AND OVERLAY.
 2. CONCRETE SURFACE REMOVAL/REPAIR REQUIRED ON BAY #4 FLOOR SLAB.
 3. PIER #2 TO BE REMOVED IN ENTIRETY.
 4. EXISTING STOP LOGS AND APPURTANCES TO BE REMOVED IN ENTIRETY.
 5. EXISTING STEEL BEAMS AND COLUMNS IN BAYS # 1, #2, & #3 TO BE REMOVED IN ENTIRETY.
 6. EXISTING STEEL COLUMNS IN BAY #4 TO BE REMOVED IN ENTIRETY.
 7. NEW OPERATOR'S/ACCESS BRIDGE NOT SHOWN FOR CLARITY.
 8. ALL HOLES IN SPILLWAY SLAB TO BE FILLED ENTIRELY AS PART OF SURFACE REMOVAL/REPAIR.



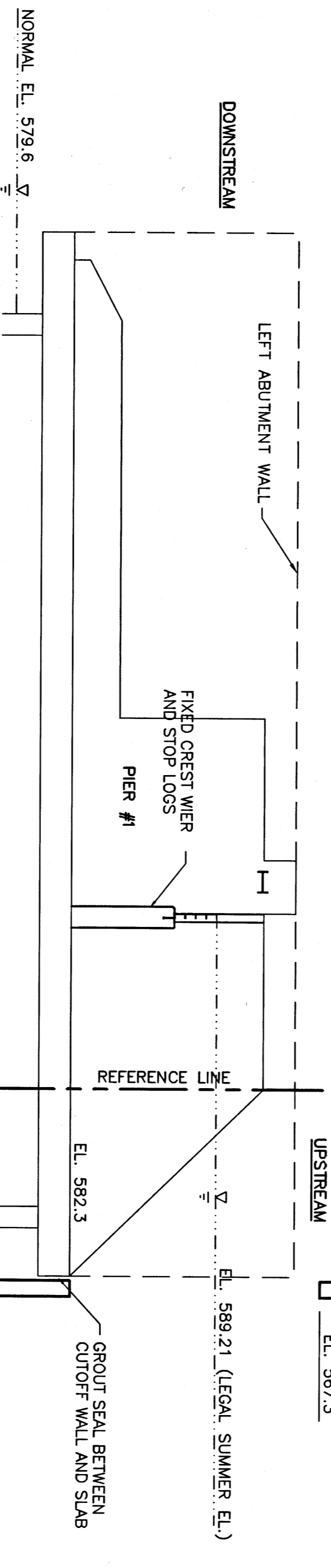
SECTION A-A: BAY #4 & CONTROL ROOM

SCALE IN FEET
0 5 10



SECTION B-B: BAYS #3 & #2 & SPILLWAY GATE

SCALE IN FEET
0 5 10



SECTION C-C: BAY #1 & FIXED CREST WEIR

SCALE IN FEET
0 5 10

A. Rieli & Associates, LLC
CONSULTING ENGINEERS

1050 Sarsola Road
Lisle, Ohio, MI 48362
Phone/Fax: (248) 693-2217
E-mail: <rfried@abe1050.com>

Prepared for:
LEELANAU COUNTY
LELAND, MI

Project:
LELAND DAM REPAIR/MODIFICATION
LELAND, MI

REPAIRED/MODIFIED SPILLWAY STRUCTURE
PLAN, ELEVATION & SECTIONS

| CLIENT | DATE | SCALE | SCALE |
|-----------------|----------|-------------|-------|
| BID | 04/01/05 | | |
| CONSTRUCTION | | | |
| RECORD | | | |
| RELEASED TO/FOR | 0 1 2 3 | Scale | DATE |
| | | Drawn by | DATE |
| | | Checked by | DATE |
| | | Designed by | DATE |
| | | Approved by | DATE |
| | | Approved by | DATE |

I HEREBY CERTIFY THAT THIS DRAWING WAS PREPARED BY ME OR UNDER MY DIRECT SUPERVISION AND THAT I AM A duly REGISTERED PROFESSIONAL ENGINEER UNDER THE LAWS OF THE STATE OF MICHIGAN.

| | | | |
|--------------------|----------|----------|----------|
| DATE | REG. NO. | DWG. NO. | REV. NO. |
| CLIENT PROJECT No. | | S-02 | |
| PROJECT # | | | |